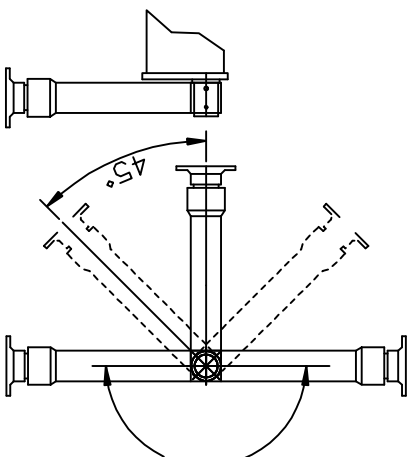
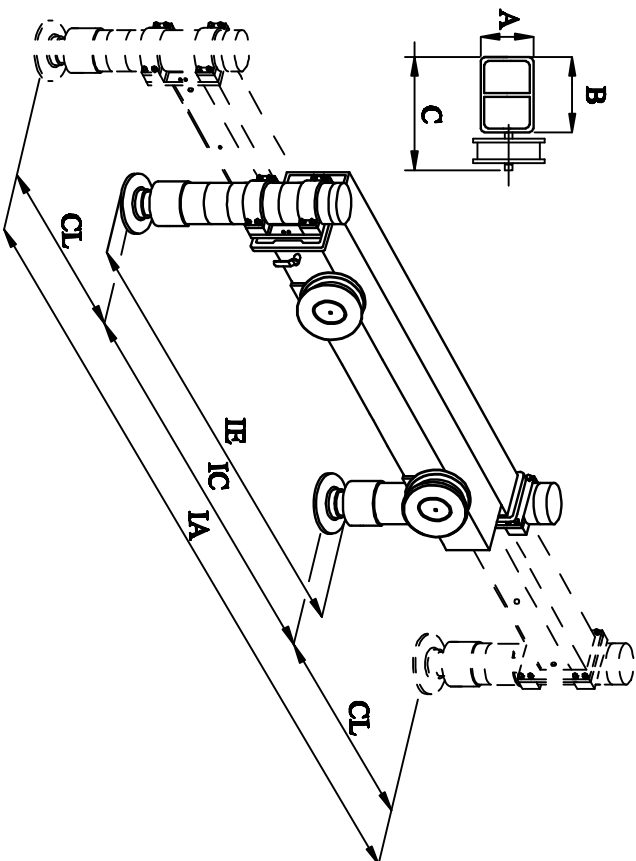
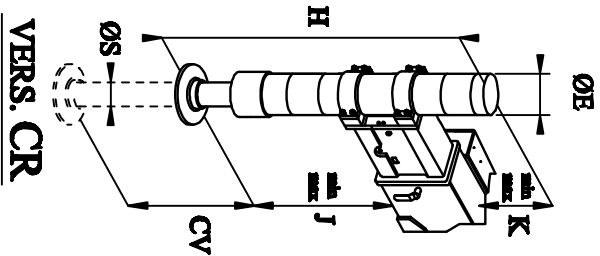


TRAVERSE RIBASSATE / SOTTO CHASSIS - STABILIZERS UNDER - CHASSIS - POTRES SOUS-CHASSIS - ZUSATZABSTÜTZUNGEN UNTER CHASSIS - ESTABILIZADORES SUB-CHASSIS



VERS. CGR



VERS. CR

| GRU CRANE GRUE KRAN GRUA | SERIE SÉRIES SÉRIES BAUREIHE SERIES | MODELLO MODEL MODÈLE TYP MODELO | DIMENSIONI PRINCIPALI MAIN DIMENSIONS DIMENSIONS PRINCIPALES HAUPTABMESSUNGEN DIMENSIONES PRINCIPALES | | | | | | | | | | | | | | | | DIMENSIONI CILINDRO CYLINDER DIMENSIONS DIMENSIONS DE VERIN ZYLINDERMASSSE DIMENSIONES DEL CILINDRO | | | | ACCESSORI ▲ STANDARD | |
|--------------------------------------|---|---|---|------|------|------|---------|-----|-----|-----|-----|----------------|-----------|-----------|---------|------|-----|---|---|--|--|--|-------------------------|------|
| | | | mm | | | | | | | | | | | | | | | | mm | | | | PS | AVV. |
| ton-m | IB | IC | CL | IA | AxB | C | CV | ØP | ØB | ØS | H | PESO WEIGHT | J min-max | K min-max | PS | AVV. | CGR | | | | | | | |
| 30 - 50 | 4 | TD-R-EHP/C-CR | 2500 | 2300 | 1400 | 5100 | 200x380 | 645 | 565 | 200 | 110 | 840 | 770 | 0-700 | 200-400 | ▲ | ● | ● | | | | | | |
| | 4 | TD-R-EHP/S-CR | 2500 | 2300 | 1400 | 5100 | 200x380 | 645 | 735 | 200 | 110 | 1000 | 790 | 0-820 | 200-525 | ▲ | ● | ● | | | | | | |
| 30 - 50 | 4 | TD-BL-EHP/C-CR | 2550 | 2350 | 1575 | 5500 | 170x435 | 645 | 565 | 200 | 110 | 840 | 740 | 230-630 | 80-485 | ▲ | ▲ | ● | | | | | | |
| | 4 | TD-BL-EHP/S-CR | 2550 | 2350 | 1575 | 5500 | 170x435 | 645 | 735 | 200 | 110 | 1000 | 760 | 230-750 | 80-610 | ▲ | ▲ | ● | | | | | | |
| 40 - 70 | 5 | TD-R-EHPL/C-CR | 2550 | 2350 | 1800 | 5950 | 250x400 | 610 | 460 | 200 | 120 | 850 | 900 | 170-670 | 0-420 | ▲ | ▲ | ● | | | | | | |
| | 5 | TD-R-EHPL/L-CR | 2550 | 2350 | 1800 | 5950 | 250x400 | 610 | 610 | 200 | 120 | 1000 | 920 | 170-770 | 0-570 | ▲ | ▲ | ● | | | | | | |
| 50 - 80 | 5 | TD-R-EKHP/C-CR | 2500 | 2300 | 2300 | 6900 | 270x400 | 610 | 460 | 200 | 120 | 850 | 1060 | 150-650 | 0-430 | ▲ | ● | ● | | | | | | |
| | 5 | TD-R-EKHP/L-CR | 2500 | 2300 | 2300 | 6900 | 270x400 | 610 | 610 | 200 | 120 | 1000 | 1080 | 150-750 | 0-580 | ▲ | ● | ● | | | | | | |

P.S.: PIATTELLO SNODATO - ARTICULATED SUPPORT PLATE - SEMELLE ARTICULÉE - GELENKIGER STÜTZTEILER - PLACA ARTICULADA
 AVV.: AVVOLGITORI-HOSE REELS-ENROULEURS-SCHLAUCHTRUMMELN-ARROLADORES
 CGR: CILINDRI GIREVOLI - ROTATING CYLINDERS - VERINS RELÉVABLES - SCHWENKBARE STÜTZEINZ - CILINDROS ROTATORIOS