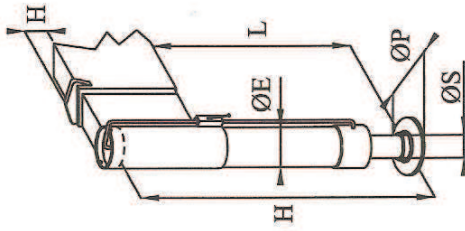
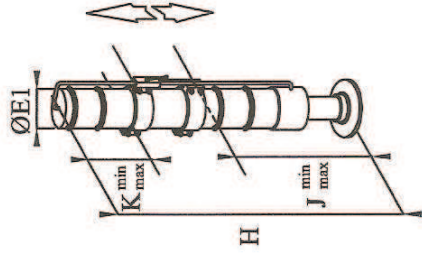


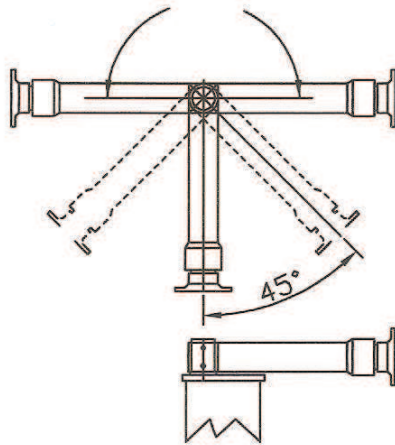
TRAVERSE FISSE - FIXED CROSSBARS - POUTRES FIXES - FESTE ABSTÜTZUNGEN - ESTABILIZADORES FIJOS



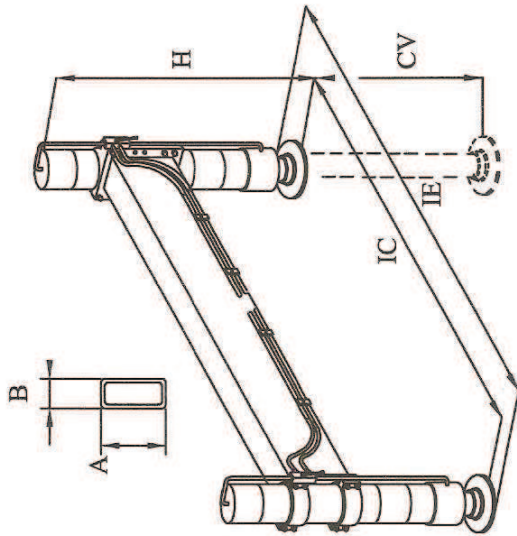
STANDARD



VERS. CR



VERS. CGR



GRU CRANE GRUE KRAN GRUA	SERIE SÉRIES SÉRIES BAUREIHE SERIES	MODELLO MODEL MODÈLE TYP MODELO	DIMENSIONI PRINCIPALI - MAIN DIMENSIONS DIMENSIONS PRINCIPALES - HAUPTABMESSUNGEN DIMENSIONES PRINCIPALES										DIMENSIONI DI VERG. - ZYLINDERMASSE DIMENSIONS CILINDRO - CYLINDER DIMENSIONS			ACCESSORI OPTIONALS ACCESSOIRES ACCESORIOS			
			mm										mm			PESO WEIGHT			
			IE	IC	AxB	CV	ØP	ØE1	H	ØS	H	Peso kg	J min-max	K min-max	PS	CGR	VERSIONE	STANDARD	L
2-4	0A	TD-F/S-CR	1960	1800	120x80	355	160	75	40	530	●	0-330	●	●	●	HI	L	ØE	kg
4-10	0	TD-F/S-CR	2160	2000	120x80	355	160	75	40	530	●	0-330	●	●	●	25	440	70	65
10-23	1	TD-F/S-CR	2160	2000	180x100	455	160	90	60	685	●	0-430	●	●	●	25	440	70	70
	1	TD-F/L-CR	2160	2000	180x100	580	160	90	60	810	●	0-560	●	●	●	25	540	85	135
18-31	2	TD-F/C-CR	2300	2100	200x100	470	200	100	60	700	●	0-440	●	●	●	25	540	95	155
	2	TD-F/S-CR	2300	2100	200x100	550	200	100	60	780	●	0-530	●	●	●	25	620	95	165
	2	TD-F/L-CR	2300	2100	200x100	635	200	100	60	865	●	0-600	●	●	●	25	700	95	170

PS: PIATTELLO SNODATO - ARTICULATED SUPPORT PLATE - SEMELLE ARTICULÉE - GELENKIGER STÜTZTELLER - PLACA ARTICULADA
CGR: CILINDRI GIREVOLI - ROTATING CYLINDERS - VERINS RELEVABLES - SCHWENKBARE STÜTZBEINE - CILINDROS ROTATORIOS